



Economy Brass Ball Valve, Red and Blue Handle

- Economy Brass Ball Valve
- Nickel Plated Body
- Sizes 1/4" to 4" (up to 2" in Blue)
- Lever in Red and Blue
- PTFE Seats
- Full Bore
- Anti Blow-Out Stem

DESCRIPTION

Economy brass nickel plated ball valve offered in a standard pattern, with flat PVC coated lever in red or blue.

Full bore, screwed BSPP female, with anti blow out stem and PTFE seats/seals

Good for air and water.

Maximum temperature 0°C to 90°C

Applications – compressed air lines, isolation of liquids.

Design Advantages

An economical ball valve that offers high performance isolation, that's is usually associated with much more expensive valves.



Description

Our economy full bore ball valve with Red or Blue PVC coated lever options. Screwed BSPP female. The valve is brass nickel plated valve, has PTFE seats and stem O rings. Anti blow out stem.

1/4" - 1" PN32

1 1/4" - 2 1/2" PN25

3" - 4" PN16

Temperature Range - 0°C to + 90°C.



Beschreibung

Unser Economy-Kugelhahn mit vollem Durchgang und roter oder blauer PVC-Beschichtung. Geschraubte BSPP-Buchse. Das Ventil ist aus Messing vernickelt, hat PTFE-Sitze und O-Ringe. Ausblasiercher Schaft.

1/4" - 1" PN32

1 1/4" - 2 1/2" PN25

3" - 4" PN16

Temperaturbereich - 0°C bis + 90°C.



Descripción

Nuestra económica válvula de bola de paso total con palancas revestidas de PVC rojo o azul. Hembra BSPP atornillada. La válvula es una válvula de latón niquelado, tiene asientos de PTFE y aros tóricos. Anti soplar el vástago.

1/4" - 1" PN32

1 1/4" - 2 1/2" PN25

3" - 4" PN16

Rango de temperatura - 0°C a + 90°C.



Description

Notre robinet à boisseau sphérique économique à passage intégral avec options de levier revêtues de PVC rouge ou bleu. BSPP femelle vissé. La vanne est en laiton nickelé, avec des sièges en PTFE et des joints toriques de tige. Tige anti-éclatement.

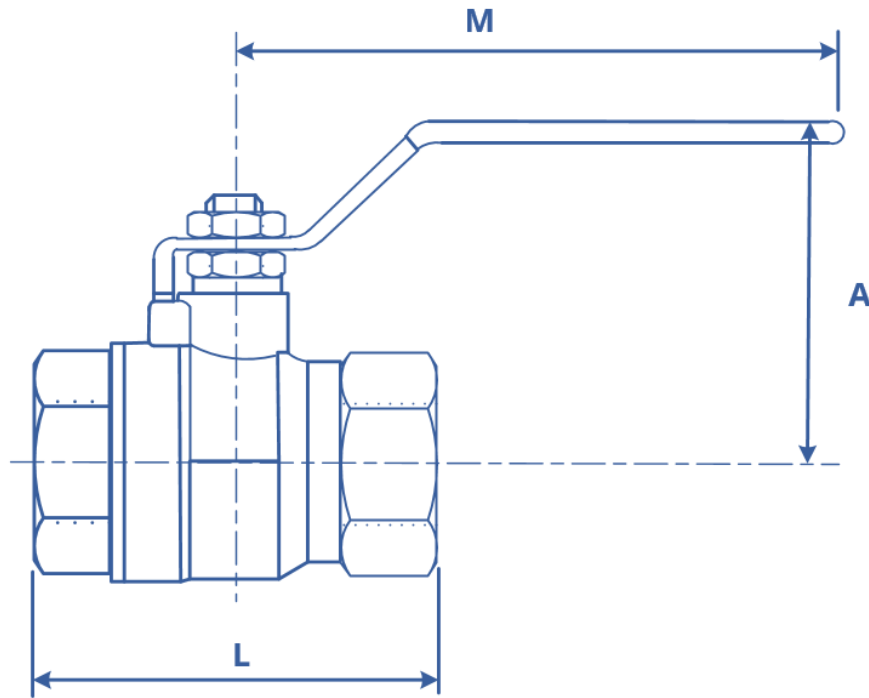
1/4" - 1" PN32

1 1/4" - 2 1/2" PN25

3" - 4" PN16

Plage de température - 0°C à + 90°C.

BV5064



Dimensions

Size	L	A	M	Kg	Handle Red	Handle Blue
1/4"	43	43	97	0.1	✓	✓
3/8"	43.8	44.4	97	0.1	✓	✓
1/2"	47	39.5	101	0.2	✓	✓
3/4"	53.3	42.5	101	0.2	✓	✓
1"	65	56	112	0.3	✓	✓
1 1/4"	73.1	62.3	132	0.5	✓	✓
1 1/2"	80.9	67	132	0.7	✓	✓
2"	98	91	161	1.2	✓	✓
2 1/2"	135	118.5	225	3.2	✓	✗
3"	150	129	225	4.5	✓	✗
4"	178	144.5	225	7	✓	✗

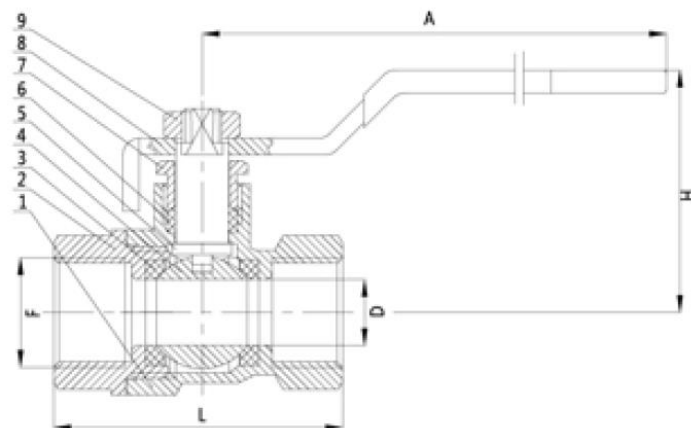
- Economic - High Performance
- Blowout Proof Stem
- Maintenance Free
- Insulated Grip
- Standard pattern

Pressure / Temperature Ratings

Pressure	1/4" & 1"	PN32
	1 1/4" to 2 1/2"	PN40
	3" & 4"	PN16
Temperature	0°C to 90°C	

Material List

1	Body	Nickel plated brass
2	Bonnet	Brass
3	Seat	PTFE
4	Ball	Brass
5	Stem	Brass
6	Packing	PTFE
7	Gland	Brass
8	Handle	Steel with insulated grip
9	Lock Nut	Brass



All information is sourced from our manufacturer's data and is intended for guidance only - Valves Online can accept no liability for changes, omissions or errors.