



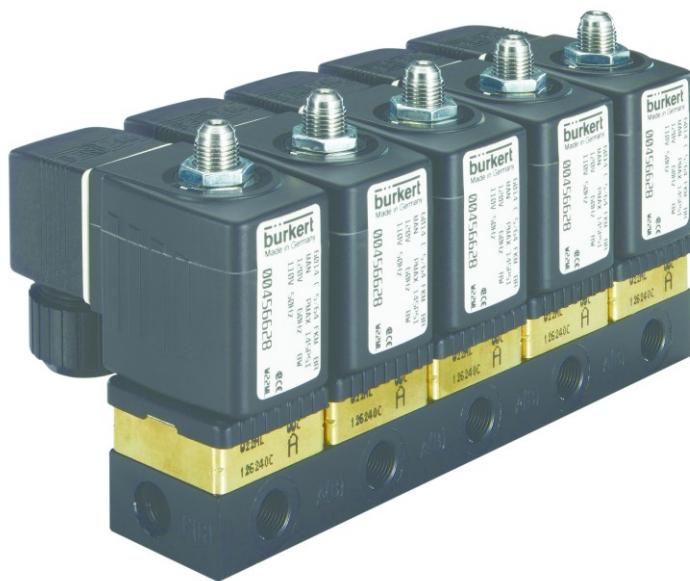


SKU:BM6014

-  Direct Acting 3/2 Way Multiple Manifold Solenoid System
-  Direkt wirkender 3/2 Wege Multiple Manifold Solenoidsystems
-  Sistema colector múltiple de solenoide de acción directa de 3/2 vías
-  Action directe 3/2 Way Système Multiple Manifold Solenoid

Valves[™]
O N L I N E

- Manifold Mounted 3/2 Way Solenoids
- Manifold Mounted 3/2 Wege Solenoids
- Montada del colector de 3/2 vías solenoides
- Monté Manifold 3/2 solénoïdes



- 2 to 10 Bank Valve Manifolds
- Normally Closed 3/2 versions
- Perfect for Piloting Actuators and Cylinders
- Easy to fit into Control Boxes
- Offers Reliability with Economy
- Common Inlet

The 6014 is a 3/2 direct acting solenoid valve that operates zero pressure up to 10 bar (2mm orifice) and 16 bar (1.5mm orifice). Supplied in banks of 2 through to 10 valves. This valve system has been designed for ease of installation and is ideal for all your pilot valve needs.

3/2 Multi Direct Acting Solenoid Valve Manifold



Description

With manifold mounting our sub base solenoids enable multiple valves to be fitted neatly together, offering 100% continuous duty. The distribution manifold has dual pressure port inlets and designated outlet ports. Cover plates and plugs with O rings can be supplied. Valves are supplied in various voltages, are normally closed with the exhaust on top of the valve. Connector plugs type 2508 according to DIN EN175301-803 Form A



Beschreibung

Mit Verteiler ermöglichen, unsere Untergrundmagnete Montage mehrerer Ventile ordentlich zusammengefügt werden, 100 % Einschaltdauer anbietet. Der Verteiler verfügt über zwei Druckanschluss Einlässe und bezeichnete Auslassöffnungen. Abdeckplatten und Stecker mit O-Ringen geliefert werden. Ventile werden in verschiedene Spannungen zugeführt werden, werden in der Regel mit dem Abgas oben auf das Ventil geschlossen. Anschlussstecker Typ 2508 nach DIN EN 175301-803 Form A



Descripción

Con el montaje del colector nuestros solenoides sub base permiten múltiples válvulas que se instalen unas junto a otras, que ofrece 100 % de servicio continuo. El colector de distribución tiene entradas de puerto de presión duales y puertos de salida designados. placas de cubierta y enchufes con juntas tóricas pueden ser suministrados. Las válvulas se suministran en varios voltajes, están normalmente cerradas con los gases de escape en la parte superior de la válvula. clavijas de conexión tipo 2508 según la norma DIN EN175301-803



Description

Avec le montage manifold nos solénoïdes de base sous permettent de multiples vannes doivent être montées parfaitement ensemble, offrant 100% de service continu. Le collecteur de distribution a deux entrées du port de pression et des orifices de sortie désignés. Plaques de recouvrement et des bouchons avec joints toriques peuvent être fournis. Les vannes sont alimentées en tensions différentes, sont normalement fermées par les gaz d'échappement au-dessus de la vanne. bouchons de connecteur de type 2508 selon la norme DIN EN175301-803 Form A

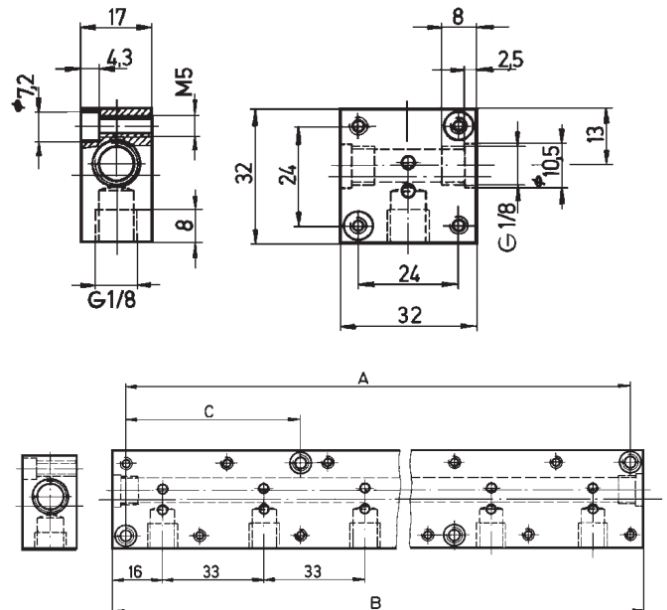


Direct Acting 3/2 Way Multiple Manifold Solenoid System
 Direkt wirkender 3/2 Wege Multiple Manifold Solenoidsystems
 Sistema colector múltiple de solenoide de acción directa de 3/2 vías
 Action directe 3/2 Way Système Multiple Manifold Solenoid

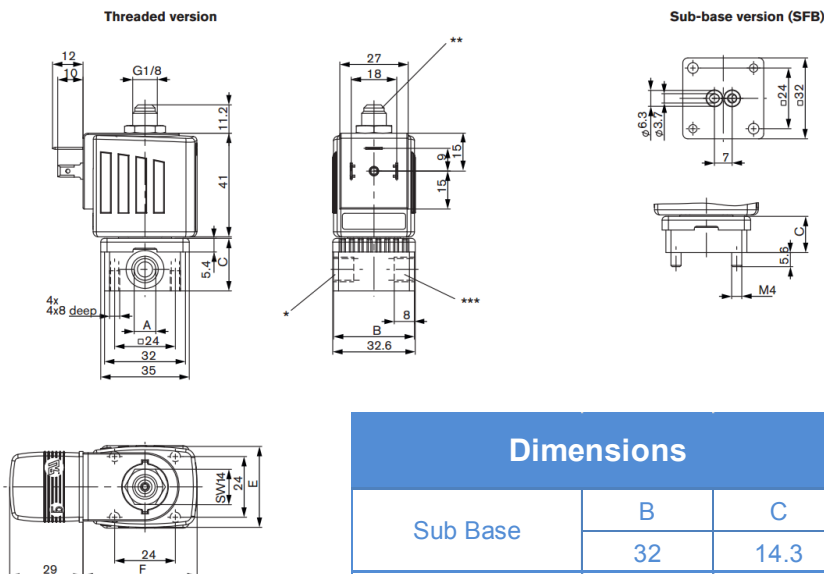
3/2 Multi Valve Manifold Block

3/2 way solenoid valve for sub base mounting. Sub base anodised aluminium with 1/8" port connections. Sub base solenoid fits directly onto base with the option of a cover plate for future valve additions.

- 2 to 10 Bank of Valve Manifolds
- Normally Closed 3/2 versions
- Perfect for Piloting Actuators and Cylinders
- Easy to fit into Control Boxes
- Offers Reliability with Economy







Order Chart for Manifold				
Multiple Manifold	Black Anodised	Hole spacing A	Total Length B	Hole spacing C
	2 Valves	57	65	
	3 Valves	90	98	
	4 Valves	123	131	
	5 Valves	156	164	57
	6 Valves	189	197	57
	8 Valves	255	263	90
	10 Valves	321	329	90

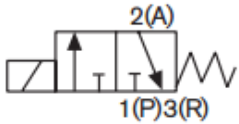


Electrical connection by Din Plug
 Supplied with valve

Dimensions		
Sub Base	B	C
	32	14.3

-  Direct Acting 3/2 Way Multiple Manifold Solenoid System
-  Direkt wirkender 3/2 Wege Multiple Manifold Solenoidsystems
-  Sistema colector múltiple de solenoide de acción directa de 3/2 vías
-  Action directe 3/2 Way Système Multiple Manifold Solenoid

3/2 Multi Valve Manifold Block



Circuit function C

Technical data	
Body material	Brass or stainless steel, polyamide (sub-base)
Seal material	FKM (EPDM on request)
Medium	Neutral gases and fluids (e.g. compressed air, town gas, natural gas, water, hydraulic oil, petrol). Suitable for technical vacuum
Medium temperature Polyamide coil (FKM seal)	-10° to +100 °C (PA coil) to 120 °C Epoxy coil
Ambient temperature	Max. +55 °C
Viscosity	Max. 21 mm ² /s
Port connection	G 1/8, G 1/4, sub-base (SFB)
Operating voltage	24 V DC, 24 V/50 Hz, 230 V/50 Hz (other voltages on request)
Voltage tolerance	±10%
Duty cycle / single valve Assembly	100% continuous rating Intermittent operation 60% (30 min) or with 5 W coil (on request)
Electrical connection	DIN EN 175301-803 Form A for Cable Plug, Type 2508 (see Ordering chart for accessories) ATEX/IECEX version with 3 m moulded cable
Installation	As required, preferably with actuator upright
Protection class	IP65 with cable plug, ATEX/IECEX junction box version and cable connection version NEMA 4x with cable plug 2508 or 2509 only for stainless steel versions (other versions on request)
Coil insulation class	Polyamide class B (Epoxy class H on request)
Coil material	Polyamide (Epoxy on request)
Orifice	DN 1.5 - 2.5

Locknut: St. st. (Thick-film passivated surface)
(Brass version)

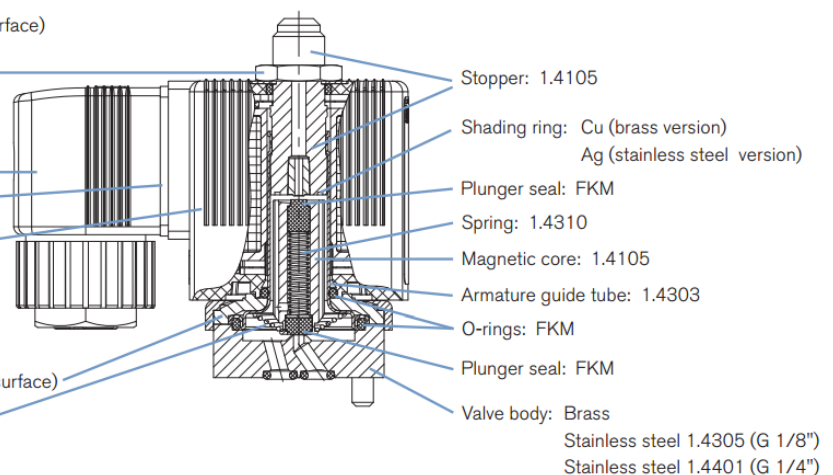
Cable plug: PA (Polyamide)





Flat seal: NBR

Coil: PA (Polyamide)
Epoxy (High temperature version)

Sub-base: St. st. (Thick-film passivated surface)
St. st. 1.4301

Spring: 1.4310

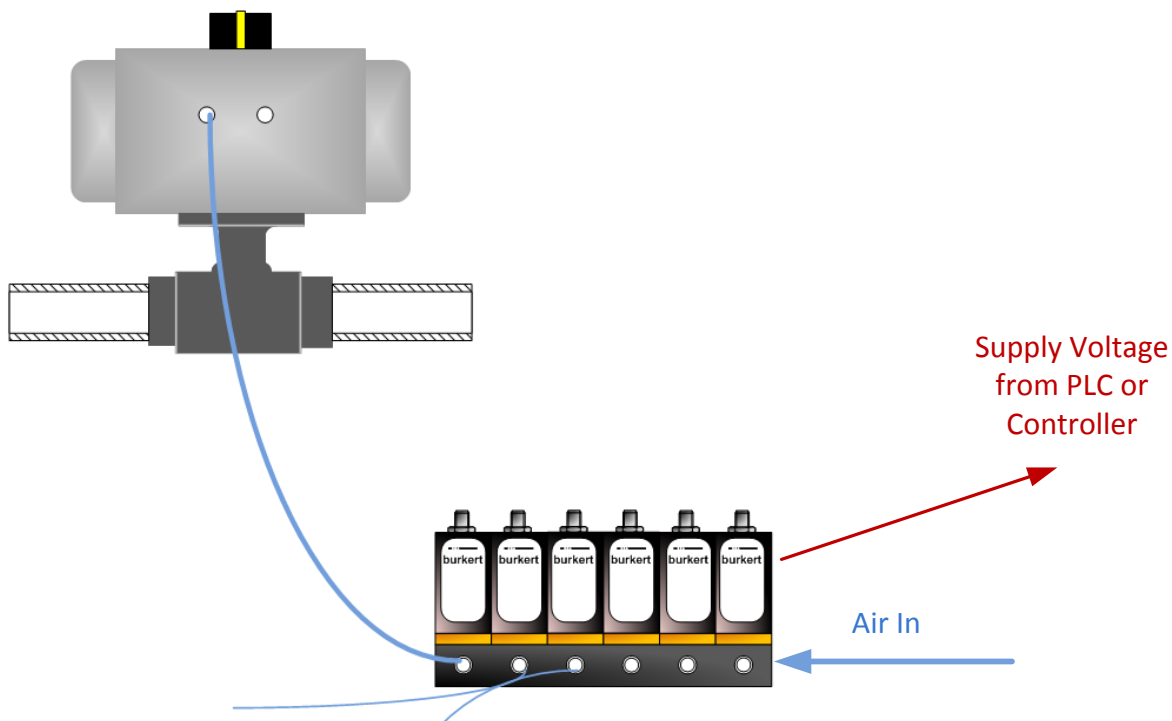


-  Direct Acting 3/2 Way Multiple Manifold Solenoid System
-  Direkt wirkender 3/2 Wege Multiple Manifold Solenoidsystems
-  Sistema colector múltiple de solenoide de acción directa de 3/2 vías
-  Action directe 3/2 Way Système Multiple Manifold Solenoid

3/2 Multi Valve Manifold Block

3/2 way solenoid valve for sub base mounting. Sub base anodised aluminium with 1/8" port connections. Sub base solenoid fits directly onto base with the option of a cover plate for future valve additions.

- 2 to 10 Bank of Valve Manifolds
- Normally Closed 3/2 versions
- Perfect for Piloting Actuators and Cylinders
- Easy to fit into Control Boxes
- Offers Reliability with Economy
- Manual Override as an Option



TYPICAL APPLICATION – TOP TIP!

6 Spring return pneumatically operated ball valves need to be operated via pilot solenoid valves. Best solution is to manifold the 6 pilot valves as shown and using one air inlet supply the valves are fed as one and not individually. All locally operated reducing electrical and pneumatic wiring.