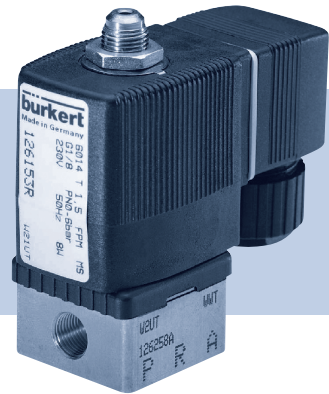


## Type 6014

3/2-Way Solenoid Valve  
3/2-Wege-Magnetventil  
Électrovanne à 3/2 voies



### Operating Instructions

Bedienungsanleitung  
Manuel d'utilisation

Bürkert Fluid Control Systems  
Sales Center  
Christian-Bürkert-Str. 13-17  
D-74653 Ingelfingen  
Tel. + 49 (0) 7940 - 10 91 111  
Fax + 49 (0) 7940 - 10 91 448  
E-mail: [info@de.buerkert.com](mailto:info@de.buerkert.com)

#### International address

[www.buerkert.com](http://www.buerkert.com) → Bürkert → Company → Locations

Manuals and data sheets on the Internet : [www.buerkert.com](http://www.buerkert.com)  
Bedienungsanleitungen und Datenblätter im Internet: [www.buerkert.de](http://www.buerkert.de)  
Instructions de service et fiches techniques sur Internet: [www.buerkert.fr](http://www.buerkert.fr)

## 1. OPERATING INSTRUCTIONS

The operating instructions contain important information.

- ▶ Read the operating instructions carefully and follow the safety instructions in particular, and also observe the operating conditions.
- ▶ Operating instructions must be available to each user.
- ▶ The liability and warranty for the product / device are void if the operating instructions are not followed.

### 1.1. Symbols

- ▶ Designates an instruction to prevent risks.
- designates a procedure which you must carry out.

**Warning of injuries:**



**DANGER!**

Imminent danger! Serious or fatal injuries.



**WARNING!**

Potential danger! Serious or fatal injuries.



**CAUTION!**

Danger! Minor or moderately severe injuries.

**Warns of damage to property:**

**NOTE!**

2

### 2.2. Definition of term

In these operating instructions, the term “device” or “product” always refers to the solenoid valve Type 6014.

### 2.3. Approvals

The approval mark indicated on the Bürkert type labels refers to the Bürkert products.

  
03 5791

Devices which must bear the type approval mark were approved at the Kraftfahrtbundesamt under the type approval number

**e1\*72/245\*2006/96\*5791\*00**

and are put into circulation with the indicated type approval mark. You can obtain an extract of the type approval from the address below.

Bürkert Werke GmbH  
Zulassungsbeauftragter,  
Christian-Bürkert-Str. 13-17,  
D-74653 Ingelfingen

## 2. INTENDED USE

**Incorrect use of the solenoid valve Type 6014 can be dangerous to people, nearby equipment and the environment.**

- The device is designed for blocking, dosing, filling and venting neutral gaseous and liquid media.
- Do not use the device outdoors.
- Use according to the permitted data, operating conditions and conditions of use specified in the contract documents and operating instructions. These are described in the chapter entitled “5. Technical data”.
- The device may be used only in conjunction with third-party devices and components recommended and authorised by Bürkert.
- Correct transportation, correct storage and installation and careful use and maintenance are essential for reliable and problem-free operation.
- Use the device only as intended.

### 2.1. Restrictions

If exporting the product / device, observe any existing restrictions.

### 2.4. Ex approval

The Ex approval is only valid if you use the modules and components authorized by Bürkert as described in these operating instructions.

You may use the electronic modules only in combination with the pneumatic valve types released by Bürkert, otherwise the Ex approval will be void!

If you make unauthorized changes to the system, the modules or components, the Ex approval will also be void.

## 3. BASIC SAFETY INSTRUCTIONS

These safety instructions do not make allowance for any contingencies and events which may arise during installation, operation and maintenance.



**Risk of injury from high pressure in the equipment/device.**

- ▶ Before working on equipment or device, switch off the pressure and deaerate/drain lines.

**Risk of electric shock.**

- ▶ Before working on equipment or device, switch off the power supply and secure to prevent reactivation.
- ▶ Observe applicable accident prevention and safety regulations for electrical equipment!

**Risk of burns/Risk of fire if used continuously through hot device surface.**

- ▶ Keep the device away from highly flammable substances and media and do not touch with bare hands.

**General hazardous situations.**

To prevent injury, ensure that:

- ▶ The system cannot be activated unintentionally.
- ▶ Installation and repair work may be carried out by authorized technicians only.

- ▶ After an interruption in the power supply or pneumatic supply, ensure that the process is restarted in a defined or controlled manner.
- ▶ The device may be operated only when in perfect condition and in consideration of the operating instructions.
- ▶ The general rules of technology apply to application planning and operation of the device.

To prevent damage to property of the device, ensure:

- ▶ Supply the media connections only with those media which are specified as flow media in the chapter entitled “5. Technical data”.
- ▶ Do not put any loads on the device (e.g. by placing objects on it or standing on it).
- ▶ Do not make any modifications to the device. Do not paint the body parts or screws.

### 3.1. Versions with explosion protection



**DANGER!**

**Danger of explosion.**

Improper use in the potentially explosive area may result in an explosion.

- ▶ Also follow the specifications in the certificate of conformity.
- ▶ If versions have ATEX approval, also follow the specifications in the ATEX instructions.

4

## 4. PRODUCT DESCRIPTION

The direct-acting solenoid valve Type 6014 is available in two designs.

Type 6014 is used for the blocking, dosing, filling and venting of neutral gaseous and liquid media, in particular for controlling single-acting pneumatic actuators or technical vacuum. The modular designed valve can be installed individually or in a block on the multiple manifold.



Type 6014P is used as a special pilot valve for direct installation on the externally controlled pneumatic actuators. It consists of the magnetic actuator Type 6014 and a special body with hollow screw which can be connected directly to the pilot air port of the actuator. The valve features manual actuation as standard.



## 5. TECHNICAL DATA

### 5.1. Conformity

In accordance with the EC Declaration of conformity, the solenoid valve Type 6014 is compliant with the EC Directives.

### 5.2. Standards

The applied standards, which verify conformity with the EC Directives, can be found on the EC-Type Examination Certificate and / or the EC Declaration of Conformity.

### 5.3. Operating conditions



#### WARNING!

##### Risk of injury from discharge of medium and pressure.

- ▶ If the device is used outdoors, do not expose it unprotected to the weather conditions.
- ▶ Avoid heat sources which may cause the allowable temperature range to be exceeded.

Ambient temperature -10 – +55 °C

Degree of protection IP65 in accordance with EN 60529 with cable plug

### 5.4. Mechanical data

Dimensions	See data sheet	
Materials	Body	Type 6014 brass, stainless steel 1.4305, polyamide (PA, flange)
		Type 6014P brass, polyamide (PA)
Hollow screw	Type 6014P	brass nickel-plated aluminium anodized
Base plate	Type 6014P	aluminium anodized or IXEF
Sealing	Type 6014	FKM, EPDM on request
	Type 6014P	FKM
Port connection	Type 6014	G1/8, G1/4, flange
	Type 6014P	G1/8, G1/4
	Hollow screw	G1/8, G1/4

### 5.5. Fluidic data

Circuit functions		
C (NC)		3/2-way valve, direct-acting, normal output A unloaded
D (NO)		3/2-way valve, direct-acting, normal output B pressurized
T		3/2-way valve, direct-acting, universal valve

Tab. 1: Circuit functions

Pressure range see type label

Media neutral gaseous and liquid media (e.g. compressed air, town gas, natural gas, water, hydraulic fluid, petrol, technical Vacuum), which do not attack body and sealing materials (see Chemical Resistance Chart [www.burkert.com](http://www.burkert.com))

Medium temperature	-10 – +100 °C (PA coil)
FKM	-10 – +120 °C (Epoxyd coil)
Viscosity	max. 21 mm <sup>2</sup> /s

### 5.6. Type label

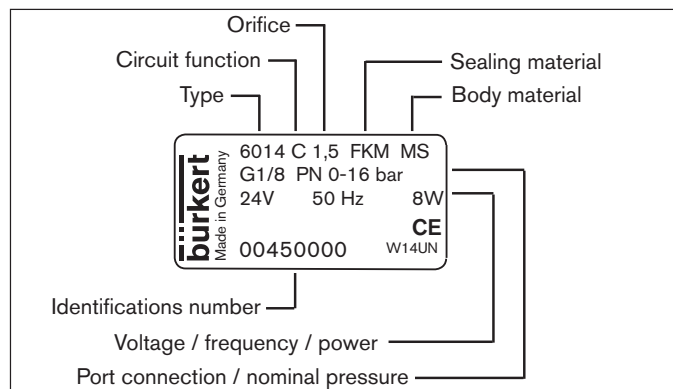


Fig. 1: Type label (example)

### 5.7. Electrical data

Connection	DIN EN 175301-803 (DIN 43 650), form A for cable plug Type 2508
Operating voltage	24 V DC ± 10 % - max. residual ripple 10 % 24 V / 50 Hz 230 V / 50 Hz
Voltage tolerance	± 10 %
Nominal output	8 W
Impulse version	7 W
Nominal operating mode	100 % continuous operation
for block installation	5 W continuous operation on request 8 W intermittent operation 60 % (30 min)

english

## 6. INSTALLATION

### 6.1. Safety instructions



#### DANGER!

##### Risk of injury from high pressure in the equipment/device.

- ▶ Before working on equipment or device, switch off the pressure and deaerate/drain lines.

##### Risk of electric shock.

- ▶ Before working on equipment or device, switch off the power supply and secure to prevent reactivation.
- ▶ Observe applicable accident prevention and safety regulations for electrical equipment.

##### Risk of injury from improper installation.

- ▶ Installation may be carried out by authorized technicians only and with the appropriate tools!
- ▶ Secure system from unintentional activation.
- ▶ Following installation, ensure a controlled restart.

### 6.2. Fluid installation



#### DANGER!

##### Risk of injury from high pressure in the equipment/device.

- ▶ Before working on equipment or device, switch off the pressure and deaerate/drain lines.

Installation position: any, coil preferably upwards.

#### Procedure:

→ Before installation, clean any possible dirt off the pipelines and flange connections.

→ If required, install a dirt trap to prevent malfunctions.



Mesh size:  
0,2 – 0,4 mm



Pay attention to the flow direction of the valve.

from 1(P) → 2(A) (Circuit function C) or  
from 1(P) → 2(B) (Circuit function D)

8

#### Valve with threaded connection:

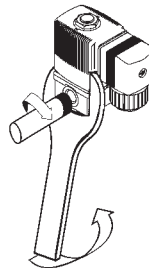
→ Use PTFE tape as sealing material.

#### NOTE!

##### Caution risk of breakage.

- ▶ Do not use the coil as a lifting arm.

→ Hold the device with a suitable tool (open-end wrench) on the body and screw into the pipeline.



#### Valve with flanged connection:

→ Remove the cover plate.

→ Loosen the nut on the coil and remove coil.

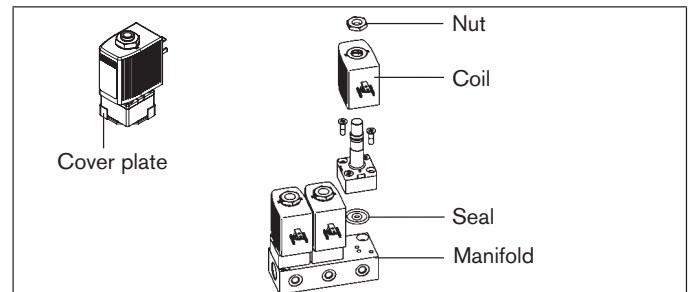


Fig. 2: Valve with flanged connection



#### WARNING!

##### Risk of injury due to escaping medium.

- ▶ Make certain the seals included with delivery are properly seated in the valve.
- ▶ Ensure that the manifold is even.
- ▶ Ensure that the surface quality of the manifold is adequate.

→ Insert the seal into the body.

→ Screw the body onto the manifold (tightening torque: max. 1.5 Nm).

→ Attach the coil and screw on the nut (tightening torque: max. 5 Nm).

english

9

### 6.3. Electrical connection with cable plug



#### DANGER!

##### Risk of electric shock.

- ▶ Before working on equipment or device, switch off the power supply and secure to prevent reactivation.
- ▶ Observe applicable accident prevention and safety regulations for electrical equipment.

##### If the protective conductor contact between the coil and body is missing, there is danger of electrical shock.

- ▶ Always connect protective conductor.
- ▶ Check electrical continuity between coil and body.

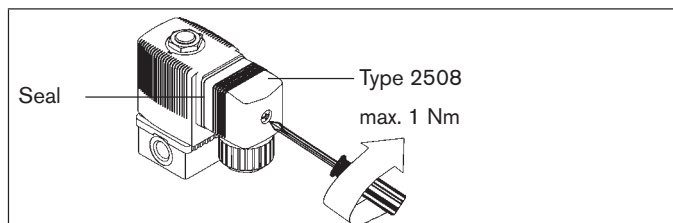


Fig. 3: Electrical connection with cable plug



Note the voltage and current type as specified on the type label.

→ Check that seal is fitted correctly.

→ Connect and tighten the cable plug (tightening torque: max. 1 Nm).



The cable plug can be turned by 4 x 90°.

#### Control of pulse version



Correct polarity is essential to ensure that the device functions:

Note identification on the upper side of the coil.

Pulse duration at least 50 ms.

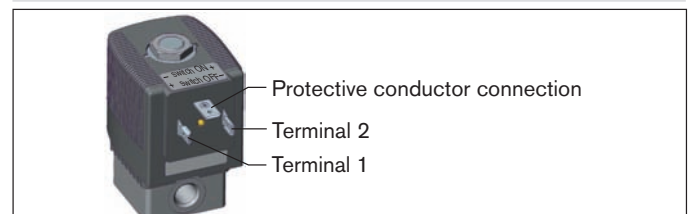


Fig. 4: Pulse version

english

Polarity	Specifications	Terminal connections
- Switch ON +	Valve (P seat) will be opened	(+) on terminal 2, (-) on terminal 1
+ Switch OFF -	Valve (P seat) will be closed	(+) on terminal 1, (-) on terminal 2

Tab. 2: Control of pulse version

**!** Use only cable plug without electrical wiring for pulse versions.

#### 6.4. Rotation of coil

**!** **WARNING!**

**Risk of electric shock.**

If the protective conductor contact between the coil and body is missing, there is danger of electrical shock.

- ▶ Check protective conductor contact after installing the coil.

**Overheating, risk of fire.**

Connection of the coil without pre-assembled valve will result in overheating and destroy the coil.

- ▶ Connect the coil with assembled fitting only.

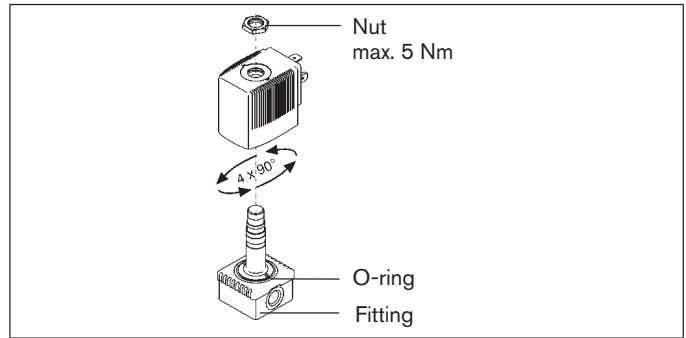


Fig. 5: Rotation of coil

- The coil can be turned by 4 x 90° (for block installation only 2 x 180°).
- Loosen nut.
  - Turn coil.
  - Tighten nut with suitable tool (open-end wrench, tightening torque: max. 5 Nm).

## 7. MAINTENANCE, TROUBLESHOOTING

**!** **DANGER!**

**Risk of injury from high pressure in the equipment/device.**

- ▶ Before working on equipment or device, switch off the pressure and deaerate/drain lines.

**Risk of electric shock.**

- ▶ Before working on equipment or device, switch off the power supply and secure to prevent reactivation.
- ▶ Observe applicable accident prevention and safety regulations for electrical equipment.

**Risk of burns/Risk of fire if used continuously through hot device surface.**

- ▶ Keep the device away from highly flammable substances and media and do not touch with bare hands.

**Risk of injury from improper maintenance.**

- ▶ Maintenance may be carried out by authorized technicians only and with the appropriate tools.
- ▶ Secure system from unintentional activation.
- ▶ Following maintenance, ensure a controlled restart.

### 7.1. Malfunctions

If malfunctions occur, check:

- the line connectors,
- the operating pressure,
- the power supply and valve control.

If the valve still does not switch, please contact your Bürkert Service.

## 8. DISASSEMBLY

### 8.1. Safety instructions

**!** **DANGER!**

**Risk of injury from high pressure in the equipment/device.**

- ▶ Before working on equipment or device, switch off the pressure and deaerate/drain lines.

**Risk of electric shock.**

- ▶ Before working on equipment or device, switch off the power supply and secure to prevent reactivation.
- ▶ Observe applicable accident prevention and safety regulations for electrical equipment.

**Risk of injury from improper disassembly.**

- ▶ Disassembly may be carried out by authorized technicians only and with the appropriate tools.

### 8.2. Disassembly

- Turn off the pressure and vent the lines.
- Switch off the power supply.
- Loosen the cable plug.

**Valve with threaded connection:**

- Hold the device with a suitable tool (Open-end wrench) on the body and screw off the pipeline.

**Valve with flanged connection:**

- Loosen the nut on the coil and remove coil.
- Loosen the body from the manifold

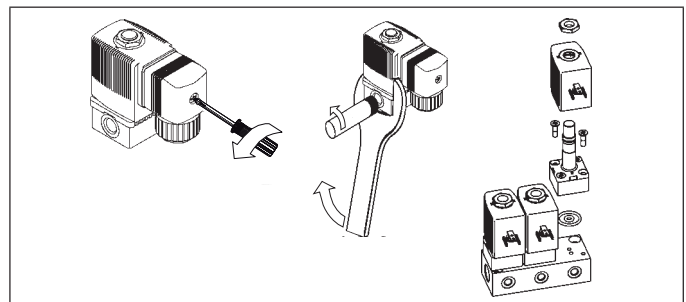


Fig. 6: Disassembly

## 9. SPARE PARTS

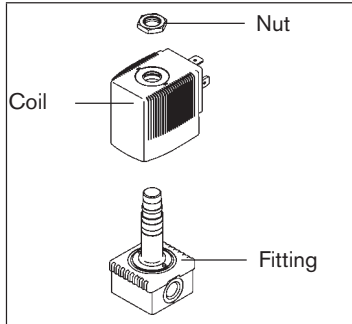


### CAUTION!

#### Risk of injury and/or damage by the use of incorrect parts!

Incorrect accessories and unsuitable spare parts may cause injuries and damage the device and the surrounding area.

- ▶ Use only original accessories and original spare parts from Bürkert.



Coil and fitting can be ordered complete by quoting the identification number of the device. (see type label)

Wearing part set on request.

Fig. 7: Spare parts

## 10. PACKAGING, TRANSPORT, STORAGE, DISPOSAL

### NOTE!

#### Transport damages.

Inadequately protected equipment may be damaged during transport.

- ▶ During transportation protect the device against wet and dirt in shock-resistant packaging.
- ▶ Avoid exceeding or dropping below the allowable storage temperature.

#### Incorrect storage may damage the device.

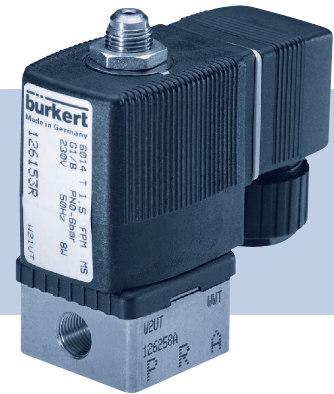
- ▶ Store the device in a dry and dust-free location!
- ▶ Storage temperature: -40 - 80 °C.

#### Damage to the environment caused by device components contaminated with media.

- ▶ Observe applicable regulations on disposal and the environment.

## Type 6014

3/2-Way Solenoid Valve  
3/2-Wege-Magnetventil  
Électrovanne à 3/2 voies



## Operating Instructions

Bedienungsanleitung  
Manuel d'utilisation

Bürkert Fluid Control Systems  
Sales Center  
Christian-Bürkert-Str. 13-17  
D-74653 Ingelfingen  
Tel. + 49 (0) 7940 - 10 91 111  
Fax + 49 (0) 7940 - 10 91 448  
E-mail: [info@de.buerkert.com](mailto:info@de.buerkert.com)

### International address

[www.burkert.com](http://www.burkert.com) → Bürkert → Company → Locations

Manuals and data sheets on the Internet : [www.burkert.com](http://www.burkert.com)  
Bedienungsanleitungen und Datenblätter im Internet: [www.buerkert.de](http://www.buerkert.de)  
Instructions de service et fiches techniques sur Internet: [www.buerkert.fr](http://www.buerkert.fr)

© 2012 Bürkert Werke GmbH  
Operating Instructions 1308/18\_EU-ML\_00803455 / Original DE

## 1. DIE BEDIENUNGSANLEITUNG

### Die Bedienungsanleitung enthält wichtige Informationen.

- ▶ Bedienungsanleitung sorgfältig lesen und Hinweise zur Sicherheit beachten.
- ▶ Bedienungsanleitung muss jedem Benutzer zur Verfügung stehen.
- ▶ Haftung und Gewährleistung für das Produkt / Gerät entfällt, wenn die Anweisungen der Bedienungsanleitung nicht beachtet werden.

### 1.1. Darstellungsmittel

- ▶ markiert eine Anweisung zur Gefahrenvermeidung.
- markiert einen Arbeitsschritt den Sie ausführen müssen.

#### Warnung vor Verletzungen:



#### **GEFAHR!**

Unmittelbare Gefahr! Schwere oder tödliche Verletzungen.



#### **WARNUNG!**

Mögliche Gefahr! Schwere oder tödliche Verletzungen.



#### **VORSICHT!**

Gefahr! Leichte oder mittelschwere Verletzungen.

#### Warnung vor Sachschäden:

#### **HINWEIS!**

## 2. BESTIMMUNGSGEMÄSSER GEBRAUCH

### Bei nicht bestimmungsgemäßem Gebrauch des Magnetventils Typ 6014 können Gefahren für Personen, Anlagen in der Umgebung und die Umwelt entstehen.

- Das Gerät ist zum Sperren, Dosieren, Füllen und Belüften von neutralen gasförmigen und flüssigen Medien konzipiert.
- Das Gerät nicht im Außenbereich einsetzen.
- Für den Einsatz die in den Vertragsdokumenten und der Bedienungsanleitung spezifizierten zulässigen Daten, Betriebs- und Einsatzbedingungen beachten. Diese sind im Kapitel „5. Technische Daten“ beschrieben.
- Das Gerät nur in Verbindung mit von Bürkert empfohlenen bzw. zugelassenen Fremdgeräten und -komponenten einsetzen.
- Voraussetzungen für den sicheren und einwandfreien Betrieb sind sachgemäßer Transport, sachgemäße Lagerung und Installation sowie sorgfältige Bedienung und Instandhaltung.
- Gerät nur bestimmungsgemäß einsetzen.

### 2.1. Beschränkungen

Bei der Ausfuhr der Produkte / Geräte gegebenenfalls bestehende Beschränkungen beachten.

deutsch

### 2.2. Begriffsdefinition

Der in dieser Bedienungsanleitung verwendete Begriff „Gerät“ oder „Produkt“ steht immer für das Magnetventil Typ 6014.

### 2.3. Zulassungen

Die auf den Bürkert Typschildern aufgebrauchte Zulassungskennzeichnung bezieht sich auf die Bürkert Produkte.



03 5791

Geräte, die das Typgenehmigungszeichen tragen müssen, wurden beim Kraftfahrtbundesamt unter der Typgenehmigungsnummer

**e1\*72/245\*2006/96\*5791\*00**

genehmigt und werden mit dem gezeigten Typgenehmigungszeichen in den Verkehr gebracht. Einen Auszug der Typgenehmigung erhalten Sie unter der unten stehenden Adresse.

Bürkert Werke GmbH  
Zulassungsbeauftragter,  
Christian-Bürkert-Str. 13-17,  
D-74653 Ingelfingen

### 2.4. Ex-Zulassung

Die Ex-Zulassung ist nur gültig, wenn Sie die von Bürkert zugelassenen Module und Komponenten so verwenden, wie es in dieser Bedienungsanleitung beschrieben ist.

Die Elektronikmodule dürfen Sie nur in Kombination mit den von Bürkert freigegebenen Pneumatikventiltypen einsetzen, andernfalls erlischt die Ex-Zulassung!

Nehmen Sie unzulässige Veränderungen am System, den Modulen oder Komponenten vor, erlischt die Ex-Zulassung ebenfalls.

deutsch

## 3. GRUNDLEGENDE SICHERHEITSHINWEISE

Diese Sicherheitshinweise berücksichtigen keine Zufälligkeiten und Ereignisse, die bei Montage, Betrieb und Wartung auftreten können.



### Verletzungsgefahr durch hohen Druck in Anlage/Gerät.

- ▶ Vor Arbeiten an Anlage oder Gerät, den Druck abschalten und Leitungen entlüften/entleeren.

### Gefahr durch Stromschlag.

- ▶ Vor Arbeiten an Anlage oder Gerät, die Spannung abschalten und vor Wiedereinschalten sichern.
- ▶ Die geltenden Unfallverhütungs- und Sicherheitsbestimmungen für elektrische Geräte beachten.

### Verbrennungsgefahr/Brandgefahr bei Dauerbetrieb durch heiße Geräteoberfläche.

- ▶ Das Gerät von leicht brennbaren Stoffen und Medien fernhalten und nicht mit bloßen Händen berühren.

### Allgemeine Gefahrensituationen.

Zum Schutz vor Verletzungen ist zu beachten:

- ▶ Gerät nicht in explosionsgefährdeten Bereichen einsetzen.
- ▶ Dass die Anlage nicht unbeabsichtigt betätigt werden kann.
- ▶ Nur geschultes Fachpersonal darf Installations- und Instandhaltungsarbeiten ausführen.
- ▶ Nach einer Unterbrechung der elektrischen oder pneumatischen Versorgung ist ein definierter oder kontrollierter Wiederanlauf des Prozesses zu gewährleisten.
- ▶ Gerät nur in einwandfreiem Zustand und unter Beachtung der Bedienungsanleitung betreiben.
- ▶ Für die Einsatzplanung und den Betrieb des Geräts die allgemeinen Regeln der Technik einhalten.

Zum Schutz vor Sachschäden am Gerät ist zu beachten:

- ▶ In die Medienanschlüsse nur Medien einspeisen, die im Kapitel „5. Technische Daten“ aufgeführt sind.
- ▶ Bei Wechselspannung auf beweglichen Kern achten.
- ▶ Gerät nicht mechanisch belasten (z. B. durch Ablage von Gegenständen oder als Trittstufe).
- ▶ Am Gerät keine Veränderungen vornehmen. Geräteteile und Schrauben nicht lackieren.

deutsch



3.1. Ausführungen mit Explosionsschutz



**GEFAHR!**

**Explosionsgefahr.**

Bei unsachgemäßem Einsatz im explosionsgefährdeten Bereich besteht Explosionsgefahr.

- ▶ Zusätzlich die Angaben der Konformitätsbescheinigung beachten.
- ▶ Bei Ausführungen mit ATEX-Zulassung sind zusätzlich die Angaben der ATEX-Anleitung zu beachten.

deutsch

4. PRODUKTBESCHREIBUNG

Das direktwirkende Magnetventil Typ 6014 ist in zwei Ausführungen verfügbar.

Typ 6014 wird zum Sperren, Dosieren, Füllen und Belüften von neutralen gasförmigen und flüssigen Medien verwendet, insbesondere zum Steuern einfachwirkender Pneumatikantriebe oder technisches Vakuum. Das modular aufgebaute Ventil kann einzeln oder im Block auf Mehrfachanschlussplatte montiert werden.



Typ 6014P wird als spezielles Pilotventil zum Direktanbau an fremdgesteuerte pneumatische Antriebe verwendet. Es besteht aus dem Magnetantrieb vom Typ 6014 und einem speziellen Gehäuse mit Hohlschraube, die direkt an den Steuerluftanschluss des Antriebs angeschlossen werden kann. Das Ventil ist serienmäßig mit Handbetätigung ausgestattet.



5. TECHNISCHE DATEN

5.1. Konformität

Das Magnetventil Typ 6014 ist konform zu den EG-Richtlinien entsprechend der EG-Konformitätserklärung.

5.2. Normen

Die angewandten Normen, mit denen die Konformität mit den EG-Richtlinien nachgewiesen wird, sind in der EG-Baumusterprüfbescheinigung und/oder der EG-Konformitätserklärung nachzulesen.

5.3. Betriebsbedingungen



**WARNUNG!**

**Gefahr durch hohen Druck und Mediumsaustritt.**

- ▶ Beim Einsatz im Außenbereich das Gerät nicht ungeschützt den Witterungsverhältnissen aussetzen.
- ▶ Wärmequellen vermeiden, die zur Überschreitung des zulässigen Temperaturbereichs führen können.

Umgebungstemperatur -10 ... +55 °C

Schutzart IP65 nach EN 60529 mit Gerätesteckdose

5.4. Mechanische Daten

Abmessungen	siehe Datenblatt	
Werkstoffe		
Gehäuse	Typ 6014	Messing, Edelstahl 1.4305, Polyamid (PA, Flansch)
	Typ 6014P	Messing, Polyamid (PA)
Hohlschraube	Typ 6014P	Messing vernickelt Aluminium eloxiert
Sockelplatte	Typ 6014P	Aluminium eloxiert bzw IXEF
Dichtung	Typ 6014	FKM, EPDM auf Anfrage
	Typ 6014P	FKM
Leitungsanschluss	Typ 6014	G1/8, G1/4, Flansch
	Typ 6014P	G1/8, G1/4
	Hohlschraube	G1/8, G1/4

deutsch

5.5. Fluidische Daten

Wirkungsweisen		
C (NC)		3/2 Wege-Ventil, direktwirkend, stromlos Ausgang A entlastet
D (NO)		3/2 Wege-Ventil, direktwirkend, stromlos Ausgang B druckbeaufschlagt
T		3/2 Wege-Ventil, direktwirkend Universalventil

Tab. 1: Wirkungsweise

Druckbereich siehe Typschild

Medien neutrale gasförmige und flüssige Medien (z. B. Druckluft, Stadtgas, Ferngas, Wasser, Hydrauliköl, Benzin, technisches Vakuum) die Gehäuse und Dichtwerkstoffe nicht angreifen (siehe Beständigkeitstabelle unter [www.buerkert.de](http://www.buerkert.de))

deutsch

Mediumstemperatur  
bei FKM -10 ... +100 °C (PA-Spule)  
-10 ... +120 °C (Epoxidspule)

Viskosität max. 21 mm<sup>2</sup>/s

5.6. Typschild

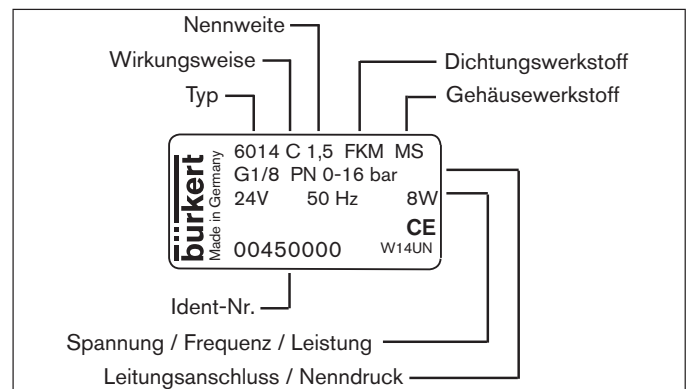


Bild 1: Typschild Beispiel

**5.7. Elektrische Daten**

Anschluss	DIN EN 175301-803 (DIN 43 650), Form A für Gerüststeckdose Typ 2508
Betriebsspannung	24 V DC ± 10 % - max. Restwelligkeit 10 % 24 V / 50 Hz 230 V / 50 Hz
Spannungstoleranz	± 10 %
Nennleistung	8 W
Impulsausführung	7 W
Nennbetriebsart	Dauerbetrieb, ED 100 %
bei Blockmontage	5 W Dauerbetrieb auf Anfrage 8 W Aussetzbetrieb, ED 60 % (30 min)

**6. INSTALLATION**

**6.1. Sicherheitshinweise**



**GEFAHR!**

**Verletzungsgefahr durch hohen Druck in Anlage/Gerät.**  
 ▶ Vor Arbeiten an Anlage oder Gerät, den Druck abschalten und Leitungen entlüften/entleeren.

**Gefahr durch Stromschlag.**  
 ▶ Vor Arbeiten an Anlage oder Gerät, die Spannung abschalten und vor Wiedereinschalten sichern.  
 ▶ Die geltenden Unfallverhütungs- und Sicherheitsbestimmungen für elektrische Geräte beachten.

**Verletzungsgefahr bei unsachgemäßer Installation.**  
 ▶ Die Installation darf nur autorisiertes Fachpersonal mit geeignetem Werkzeug durchführen.  
 ▶ Anlage vor unbeabsichtigtem Betätigen sichern.  
 ▶ Nach der Installation einen kontrollierten Wiederanlauf gewährleisten.

deutsch

**6.2. Fluidische Installation**



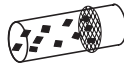
**GEFAHR!**

**Verletzungsgefahr durch hohen Druck in Anlage/Gerät.**  
 ▶ Vor Arbeiten an Anlage oder Gerät, den Druck abschalten und Leitungen entlüften/entleeren.

Einbaulage: beliebig, vorzugsweise Spule nach oben.

**Vorgehensweise:**

- Vor der Montage Rohrleitungen und Flanschanschlüsse von eventuellen Verschmutzungen säubern.
- Zum Schutz vor Störungen gegebenenfalls einen Schmutzfänger einbauen.



Maschenweite:  
0,2 ... 0,4 mm



Die Durchflussrichtung des Ventils beachten.  
 von 1(P) → 2(A) (WWC) oder  
 von 1(P) → 2(B) (WWD)

**Ventil mit Gewindeanschluss:**

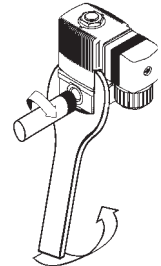
→ Als Dichtungsmaterial PTFE-Band verwenden.

**HINWEIS!**

**Vorsicht Bruchgefahr!**

- Die Spule darf nicht als Hebelarm benutzt werden.

→ Das Gerät mit geeignetem Werkzeug (Gabelschlüssel) am Gehäuse festhalten und in die Rohrleitung einschrauben.



**Ventil mit Flanschanschluss:**

- Die Verschlussplatte entfernen.
- Mutter der Spule lösen und Spule demontieren.

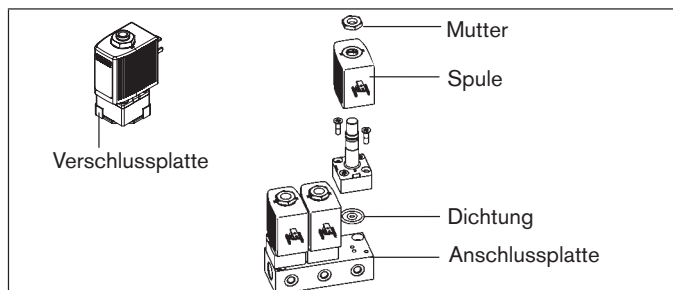


Bild 2: Ventil mit Flanschanschluss



**WARNUNG!**

**Verletzungsgefahr durch Mediumsaustritt.**  
 ▶ Bei mitgelieferten Dichtungen auf den richtigen Sitz im Ventil achten.  
 ▶ Auf die Ebenheit der Anschlussplatte achten.  
 ▶ Auf ausreichende Oberflächengüte der Anschlussplatte achten.

- Dichtung in das Gehäuse einlegen.
- Gehäuse auf Anschlussplatte schrauben (Anziehdrehmoment: max. 1,5 Nm).
- Spule aufstecken und Mutter befestigen (Anziehdrehmoment: max. 5 Nm).

**6.3. Elektrischer Anschluss mit Gerüststeckdose**



**GEFAHR!**

**Gefahr durch Stromschlag.**  
 ▶ Vor Arbeiten an Anlage oder Gerät, die Spannung abschalten und vor Wiedereinschalten sichern.

▶ Die geltenden Unfallverhütungs- und Sicherheitsbestimmungen für elektrische Geräte beachten.  
 Bei fehlendem Schutzleiterkontakt zwischen Spule und Gehäuse besteht die Gefahr des Stromschlags.

- ▶ Schutzleiter immer anschließen.
- ▶ Elektrischer Durchgang zwischen Spule und Gehäuse prüfen.

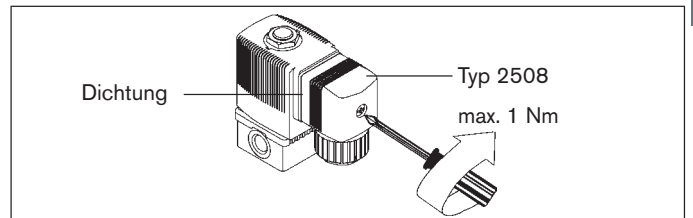


Bild 3: Elektrischer Anschluss mit Gerüststeckdose

deutsch

**!** Spannung und Stromart laut Typschild beachten.

- Korrekten Sitz der Dichtung prüfen.
- Geräteckdose montieren und festschrauben (max. 1 Nm)

**!** Gerätesteckdose kann um 4 x 90° gedreht werden.

deutsch

**Ansteuerung Impulsausführung**

**!** Richtige Polarität ist Voraussetzung für die Funktion des Geräts: Die Kennzeichnung auf der Spulenoberseite beachten. Impulsdauer mindestens 50 ms.

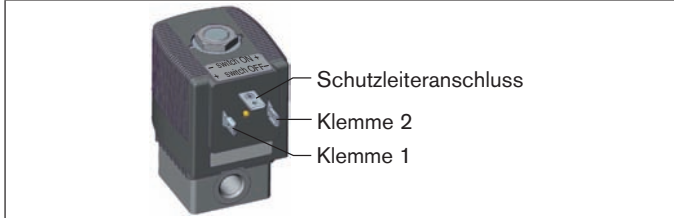


Bild 4: Impulsausführung

Polung	Beschreibung	Klemmenbelegung
- Switch ON +	Ventil (P-Sitz) wird geöffnet	(+) auf Klemme 2, (-) auf Klemme 1
+ Switch OFF -	Ventil (P-Sitz) wird geschlossen	(+) auf Klemme 1, (-) auf Klemme 2

Tab. 2: Ansteuerung Impulsausführung

**!** Nur Gerätesteckdose ohne elektrische Beschaltung für Impulsausführungen verwenden.

**6.4. Drehen der Spule**



**WARNUNG!**

**Verletzungsgefahr durch Stromschlag.**

Bei fehlendem Schutzleiterkontakt zwischen Spule und Gehäuse besteht die Gefahr des Stromschlags.

- Schutzleiterkontakt nach der Spulenmontage prüfen.

**Überhitzung, Brandgefahr.**

Der Anschluss der Spule ohne montierte Armatur führt zur Überhitzung und zerstört die Spule.

- Spule nur mit montierter Armatur anschließen.

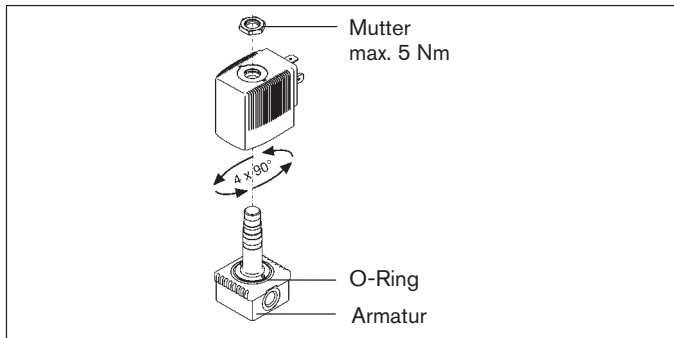


Bild 5: Drehen der Spule

Die Spule kann um 4 x 90° gedreht werden (bei Blockmontage nur 2 x 180°).

- Mutter lösen.
- Spule drehen.
- Mutter mit geeignetem Werkzeug (Gabelschlüssel) festdrehen (Anziehdrehmoment max. 5 Nm).

**7. WARTUNG, FEHLERBEHEBUNG**



**GEFAHR!**

**Verletzungsgefahr durch hohen Druck in Anlage/Gerät.**

- Vor Arbeiten an Anlage oder Gerät, den Druck abschalten und Leitungen entlüften/entleeren.

**Gefahr durch Stromschlag.**

- Vor Arbeiten an Anlage oder Gerät, die Spannung abschalten und vor Wiedereinschalten sichern.
- Die geltenden Unfallverhütungs- und Sicherheitsbestimmungen für elektrische Geräte beachten.

**Verbrennungsgefahr/Brandgefahr bei Dauerbetrieb durch heiße Geräteoberfläche.**

- Das Gerät von leicht brennbaren Stoffen und Medien fernhalten und nicht mit bloßen Händen berühren.

**Verletzungsgefahr bei unsachgemäßer Wartung.**

- Die Wartung darf nur autorisiertes Fachpersonal mit geeignetem Werkzeug durchführen.
- Anlage vor unbeabsichtigtem Betätigen sichern.
- Nach der Wartung einen kontrollierten Wiederanlauf gewährleisten.

deutsch

**7.1. Störungen**

Bei Störungen überprüfen:

- die Leitungsanschlüsse
- den Betriebsdruck
- die Spannungsversorgung und Ventilansteuerung

Falls das Ventil dennoch nicht schaltet, wenden Sie sich an Ihren Bürkert-Service.

deutsch

**8. AUSSERBETRIEBNAHME**

**8.1. Sicherheitshinweise**



**GEFAHR!**

**Verletzungsgefahr durch hohen Druck in Anlage/Gerät.**

- Vor Arbeiten an Anlage oder Gerät, den Druck abschalten und Leitungen entlüften/entleeren.

**Gefahr durch Stromschlag.**

- Vor Arbeiten an Anlage oder Gerät, die Spannung abschalten und vor Wiedereinschalten sichern.
- Die geltenden Unfallverhütungs- und Sicherheitsbestimmungen für elektrische Geräte beachten.

**Verletzungsgefahr bei unsachgemäßer Demontage.**

- Die Demontage darf nur autorisiertes Fachpersonal mit geeignetem Werkzeug durchführen.

**8.2. Demontage**

- Druck abschalten und Leitungen entlüften.
- Elektrische Spannung abschalten.
- Gerätesteckdose demontieren (bei Bedarf).

**Ventil mit Gewindeanschluss:**

→ Gerät mit geeignetem Werkzeug (Gabelschlüssel) am Gehäuse festhalten und von der Rohrleitung abschrauben.

**Ventil mit Flanschanschluss:**

→ Mutter der Spule lösen und Spule demontieren.  
 → Gehäuse von der Anschlussplatte demontieren.

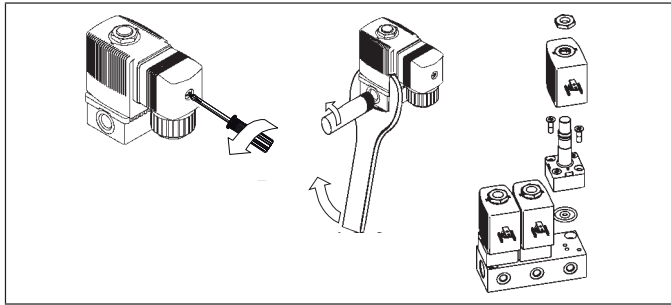


Bild 6: Demontage

**9. ERSATZTEILE**



**VORSICHT!**

**Verletzungsgefahr, Sachschäden durch falsche Teile.**

Falsches Zubehör und ungeeignete Ersatzteile können Verletzungen und Schäden am Gerät und dessen Umgebung verursachen.

► Nur Originalzubehör sowie Original-Ersatzteile der Firma Bürkert verwenden.

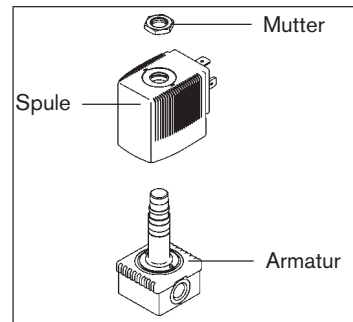


Bild 7: Ersatzteile

Spule und Armatur können komplett unter der Identnummer des Geräts bestellt werden. (siehe Typschild)

Verschleißteilsatz auf Anfrage.

deutsch

**10. TRANSPORT, LAGERUNG, ENTSORGUNG**

**HINWEIS!**

**Transportschäden.**

Unzureichend geschützte Produkte können durch den Transport beschädigt werden.

- Gerät vor Nässe und Schmutz geschützt in einer stoßfesten Verpackung transportieren.
- Eine Über- bzw. Unterschreitung der zulässigen Lagertemperatur vermeiden.
- Elektrische Schnittstellen der Spule und die pneumatischen Anschlüsse mit Schutzkappen vor Beschädigungen schützen.

**Falsche Lagerung kann Schäden am Gerät verursachen.**

- Gerät trocken und staubfrei lagern.
- Lagertemperatur -40 ... +80 °C.

**Umweltschäden durch von Medien kontaminierte Geräteteile.**

- Gerät und Verpackung umweltgerecht entsorgen.
- Geltende Entsorgungsvorschriften und Umweltbestimmungen einhalten.

deutsch

## Type 6014

3/2-Way Solenoid Valve  
3/2-Wege-Magnetventil  
Électrovanne à 3/2 voies



### Operating Instructions

Bedienungsanleitung  
Manuel d'utilisation

Bürkert Fluid Control Systems  
Sales Center  
Christian-Bürkert-Str. 13-17  
D-74653 Ingelfingen  
Tel. + 49 (0) 7940 - 10 91 111  
Fax + 49 (0) 7940 - 10 91 448  
E-mail: info@de.buerkert.com

#### International address

[www.burkert.com](http://www.burkert.com) → Bürkert → Company → Locations

Manuals and data sheets on the Internet : [www.burkert.com](http://www.burkert.com)  
Bedienungsanleitungen und Datenblätter im Internet: [www.buerkert.de](http://www.buerkert.de)  
Instructions de service et fiches techniques sur Internet: [www.buerkert.fr](http://www.buerkert.fr)

© 2012 Bürkert Werke GmbH  
Operating Instructions 1308/18\_EU-ML\_00803455 / Original DE

## 1. MANUEL D'UTILISATION

### Manuel d'utilisation contiennent des informations importantes.

- ▶ Lire attentivement ce manuel d'utilisation et respecter les consignes de sécurité.
- ▶ Le manuel d'utilisation doit être à disposition de chaque utilisateur.
- ▶ Nous déclinons toute responsabilité et n'accordons aucune garantie légale pour le produit / l'appareil en cas de non-respect des instructions figurant dans ce manuel d'utilisation.

### 1.1. Symbols

- ▶ Identifie une instruction visant à éviter un danger.
- identifie une opération que vous effectuer.

#### Mise en garde contre les blessures :



#### **DANGER !**

Danger imminent ! Les blessures graves ou mortelles.



#### **AVERTISSEMENT !**

Danger possible ! Les blessures graves ou mortelles.



#### **ATTENTION !**

Danger ! Les blessures légères ou moyennement graves.

#### Met en garde contre des dommages matériels :

#### **REMARQUE !**

## 2. UTILISATION CONFORME

### L'utilisation non conforme de l'électrovanne, type 6014 peut présenter des dangers pour les personnes, les installations proches et l'environnement.

- L'appareil est conçu pour couper, doser, remplir et aérer les fluides neutres gazeux et liquides.
- N'utilisez pas l'appareil à l'extérieur.
- Lors de l'utilisation, il convient de respecter les données et conditions d'utilisation et d'exploitation admissibles spécifiées dans les instructions de service et dans les documents contractuels. Celles-ci sont décrites au chapitre « 5. Caractéristiques techniques ».
- L'appareil peut être utilisé uniquement en association avec les appareils et composants étrangers recommandés et homologués par Bürkert.
- Les conditions pour l'utilisation sûre et parfaite sont un transport, un stockage et une installation dans les règles ainsi qu'une parfaite utilisation et maintenance.
- Veillez à ce que l'utilisation de l'appareil soit toujours conforme.

### 2.1. Limitations

Lors de l'exportation du produit /de l'appareil, veuillez respecter les limitations éventuelles existantes.

français

29

### 2.2. Définition du terme

Le terme « appareil » ou « produit » utilisé dans ce manuel désigne toujours l'électrovanne type 6014.

### 2.3. Homologations

Le marquage d'homologation apposé sur les plaques signalétiques Bürkert se rapporte aux produits Bürkert.

**e 1**  
03 5791

Les appareils devant porter l'homologation ont été autorisés par l'office fédéral sous le numéro

**e1\*72/245\*2006/96\*5791\*00**

et sont mis sur le marché avec cette homologation. Vous pouvez obtenir un extrait de cette homologation à l'adresse mentionnée ci-dessous.

Bürkert Werke GmbH  
Zulassungsbeauftragter,  
Christian-Bürkert-Str. 13-17,  
D-74653 Ingelfingen

français

30

## 3. CONSIGNES DE SÉCURITÉ FONDAMENTALES

Ces consignes de sécurité ne tiennent pas compte des hasards et des événements pouvant survenir lors du montage, de l'exploitation et de l'entretien.



### Risque de blessures dû à la présence de haute pression dans l'installation/l'appareil.

- ▶ Avant de travailler sur l'installation ou l'appareil, il convient de couper la pression et de purger l'air des conduites/de les vider.

### Risque de choc électrique.

- ▶ Avant de travailler sur l'installation ou l'appareil, couper la tension et empêcher toute remise sous tension par inadvertance.
- ▶ Respecter les réglementations en vigueur pour les appareils électriques en matière de prévention des accidents et de sécurité.

### Risque de brûlures/d'incendie en fonctionnement continu dû à des surfaces d'appareils brûlantes.

- ▶ Tenez les substances et les fluides facilement inflammables à l'écart de l'appareil et ne touchez pas ce dernier à mains nues.

### Situations dangereuses d'ordre général.

Pour prévenir les blessures, respectez ce qui suit :

- ▶ L'installation ne peut être actionnée par inadvertance.
- ▶ Les travaux d'installation et de maintenance doivent être effectués uniquement par des techniciens qualifiés et habilités disposant de l'outillage approprié.
- ▶ Après une interruption de l'alimentation électrique ou pneumatique, un redémarrage défini ou contrôlé du processus doit être garanti.
- ▶ L'appareil doit être utilisé uniquement en parfait état et en respectant le manuel d'utilisation.
- ▶ Les règles générales de la technique sont d'application pour planifier l'utilisation et utiliser l'appareil.

Pour prévenir les dommages matériels, respectez ce qui suit :

- ▶ Alimentez les raccords uniquement de fluides repris comme fluides de débit au chapitre « 5. Caractéristiques techniques ».
- ▶ Ne soumettez pas l'appareil à des contraintes mécaniques (par ex. pour déposer des objets ou en l'utilisant comme marche).
- ▶ N'apportez pas de modifications à l'appareil. Ne laquez pas les pièces de l'appareil et les vis.

français

31

3.1. Versions avec protection contre les explosions



**DANGER !**

**Risque d'explosion.**

Il y a risque d'explosion en cas d'utilisation non conforme dans des zones présentant des risques d'explosion.

- ▶ Respectez également les indications reprises dans le certificat de conformité.
- ▶ Pour les versions avec homologation ATEX, il convient de respecter également les indications des instructions ATEX.

4. DESCRIPTION DU PRODUIT

L'électrovanne à action directe type 6014 est disponible en deux versions.

Le type 6014 est utilisé pour couper, doser, remplir et aérer les fluides neutres gazeux et liquides et en particulier pour commander des actionneurs pneumatiques simple effet ou le vide technique. La vanne modulaire peut être montée seule ou dans un bloc sur des embases multiples.



Le type 6014P est utilisé comme vanne pilote spéciale à monter directement sur des actionneurs pneumatiques à commande extérieure. Elle est composée d'une électrovanne du type 6014 et d'un corps spécial avec vis creuse pouvant être raccordée directement sur l'air de pilotage de l'actionneur. De série, la vanne est dotée d'une commande manuelle.



français

5. CARACTÉRISTIQUES TECHNIQUES

5.1. Conformité

L'électrovanne type 6014 est conforme aux directives CE sur la base de la déclaration de conformité CE.

5.2. Normes

Les normes appliquées justifiant la conformité aux directives CE peuvent être consultées dans le certificat d'essai de modèle type CE et / ou la déclaration de Conformité CE.

5.3. Conditions d'exploitation



**AVERTISSEMENT !**

**Risque de blessures dû à la sortie de fluide et à la décharge de pression.**

- ▶ Lorsqu'il est utilisé à l'extérieur, n'exposez pas l'appareil aux intempéries sans aucune protection.
- ▶ Évitez les sources de chaleur susceptibles d'entraîner un dépassement de la plage de température admissible.

Température ambiante 0 ... +55 °C

Degré de protection IP65 selon EN 60529 avec connecteur

5.4. Caractéristiques mécaniques

Dimensions	voir fiche technique	
Matériaux	Corps	Type 6014 laiton, acier inoxydable 1.4305, polyamide (PA, bride) Type 6014P laiton, polyamide (PA)
	Vis creuse	Type 6014P laiton nickelé aluminium anodisé
Plaque de socle	Type 6014P	aluminium anodisé ou IXEF
Étanchéité	Type 6014	FKM, EPDM sur demande
	Type 6014P	FKM
Raccords de conduite	Type 6014	G1/8, G1/4, bride
	Type 6014P	G1/8, G1/4
	Vis creuse	G1/8, G1/4

français

5.5. Données fluidiques

Fonction		
C (NC)		Vanne à 3/2 voies, à action directe, sortie A normalement fermée
D (NO)		Vanne à 3/2 voies, à action directe, sortie B normalement ouverte
T		Vanne à 3/2 voies, à action directe, vanne universelle

Tab. 1: Fonction

Plage de pression	voir plaque signalétique
Fluides	fluides neutres gazeux et liquides (par ex. air comprimé, gaz de ville, gaz naturel, eau, huile hydraulique, essence, vide technique) qui n'attaquent pas le corps et les matériaux du joint (voir Résistances chimique <a href="http://www.buerkert.fr">www.buerkert.fr</a> )

français

Température du fluide	FKM	-10 ... +100 °C (bobine PA)
		-10 ... +120 °C (bobine Epoxid)
Viscosité	21 mm <sup>2</sup> /s maxi	

5.6. Plaque signalétique (exemple)

The image shows a rectangular identification plate for a Bürkert valve. The plate contains the following text:
 

- bürkert** logo and "Made in Germany"
- 6014 C 1,5 FKM MS
- G1/8 PN 0-16 bar
- 24V 50 Hz 8W
- 00450000
- W14UN
- CE mark

 Callouts point to various parts of the plate:
 

- Diamètre nominal (points to G1/8)
- Fonction (points to 6014 C)
- Type (points to 1,5)
- Matériau du joint (points to FKM)
- Matériau du corps (points to MS)
- N° ID (points to 00450000)
- Tension / fréquence / puissance (points to 24V 50 Hz 8W)
- Raccord de conduite / pression nominale (points to G1/8 PN 0-16 bar)

Fig. 1 : Plaque signalétique (exemple)

## 5.7. Caractéristiques électriques

Raccordement	DIN EN 175301-803 (DIN 43 650), forme A pour connecteur type 2508
Tension de service	24 V DC $\pm$ 10 % - ondulation résiduelle maxi 10 % 24 V / 50 Hz 230 V / 50 Hz
Tolérance de tension	$\pm$ 10 %
Puissance nominale	8 W
Version à impulsions	7 W
Mode opératoire nominal	100 % fonctionnement continu
en montage dos à dos	5 W fonctionnement continu sur demande 8 W fonctionnement intermittent 60 % (30 min)

## 6. INSTALLATION

### 6.1. Consignes de sécurité



#### DANGER !

**Risque de blessures dû à la présence de haute pression dans l'installation/l'appareil.**

- ▶ Avant de travailler sur l'installation ou l'appareil, il convient de couper la pression et de purger l'air des conduites/de les vider.

**Risque de choc électrique.**

- ▶ Avant de travailler sur l'installation ou l'appareil, couper la tension et empêcher toute remise sous tension par inadvertance.
- ▶ Respecter les réglementations en vigueur pour les appareils électriques en matière de prévention des accidents et de sécurité.

**Risque de blessures dû à un montage non conforme.**

- ▶ Le montage doit être effectué uniquement par un personnel qualifié et habilité disposant de l'outillage approprié.
- ▶ Empêchez tout actionnement involontaire de l'installation.
- ▶ Garantisiez un redémarrage contrôlé après le montage.

français

35

### 6.2. Installation fluide



#### DANGER !

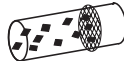
**Risque de blessures dû à la présence de haute pression dans l'installation/l'appareil.**

- ▶ Avant de travailler sur l'installation ou l'appareil, il convient de couper la pression et de purger l'air des conduites/de les vider.

Position de montage : au choix, de préférence avec la bobine vers le haut.

#### Procédure à suivre :

- Avant le montage, nettoyer la tuyauterie et les raccords à bride afin d'enlever les éventuelles saletés.
- Installez éventuellement un collecteur de boues comme protection contre les dysfonctionnements



Mailles :  
0,2 ... 0,4 mm



Respectez le sens du débit de la vanne :

- de 1(P) → 2(A) (fonction C) ou
- de 1(P) → 2(B) (fonction D)

français

#### Corps avec raccord fileté :

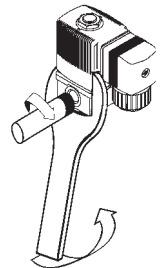
- Utilisez une bande PTFE comme matériau d'étanchéité.

#### REMARQUE !

**Attention risque de rupture.**

- ▶ La bobine ne doit pas être utilisée comme levier.

- Maintenez l'appareil sur le corps à l'aide d'un outil approprié (clé à fourche) et vissez-le dans la tuyauterie.



#### Vanne avec raccord à bride :

- Enlevez la plaque de fermeture.
- Desserrez l'écrou de la bobine et démontez celle-ci.

36

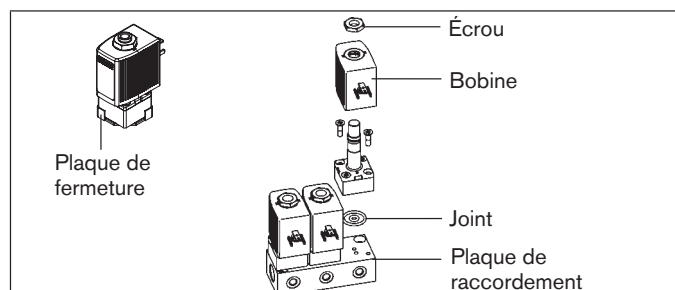


Fig. 2 : Vanne avec raccord à bride



#### AVERTISSEMENT !

**Risque de blessures dû à la sortie de fluide.**

- ▶ Veillez au positionnement correct des joints fournis dans la vanne.
- ▶ Veillez à la planéité de la plaque de raccordement.
- ▶ Veillez à une qualité de surface suffisante de la plaque de raccordement.

- Placez le joint dans le corps.
- Vissez le corps sur l'embase (couple de serrage : 1,5 Nm maxi).
- Mettez la bobine en place et serrez l'écrou (couple de serrage : 5 Nm maxi).

### 6.3. Raccordement électrique avec connecteur



#### DANGER !

**Risque de choc électrique.**

- ▶ Avant de travailler sur l'installation ou l'appareil, couper la tension et empêcher toute remise sous tension par inadvertance.
- ▶ Respecter les réglementations en vigueur pour les appareils électriques en matière de prévention des accidents et de sécurité.

**Il y a risque de choc électrique en l'absence d'un contact du conducteur de protection entre la bobine et le corps.**

- ▶ Raccordez toujours le conducteur de protection.
- ▶ Contrôlez le passage du courant entre la bobine et le corps.

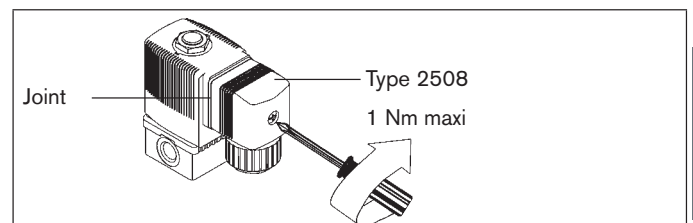


Fig. 3 : Raccordement électrique avec connecteur

français

37



! Respectez la tension et le type de courant selon la plaque signalétique.

- Vérifier le bon positionnement du joint.
- Monter et visser le connecteur (couple de serrage : 1 Nm maxi)

! Le connecteur peut être tournée 4 x 90°.

#### Commande version à impulsions

! La polarité correcte est la condition pour le bon fonctionnement de l'appareil : respectez l'identification sur le dessus de la bobine.  
Durée d'impulsion au moins 50 ms.

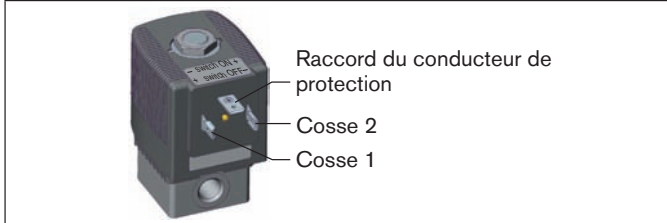


Fig. 4 : Version à impulsions

38

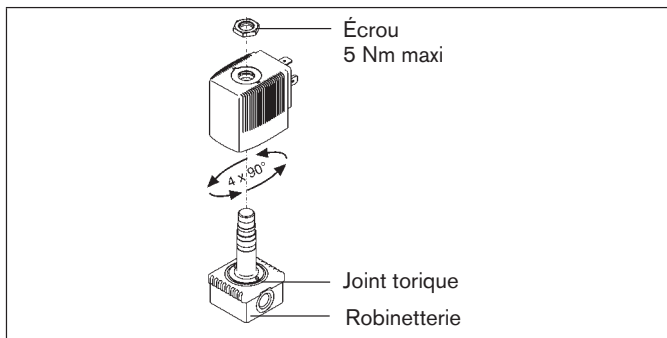


Fig. 5 : Rotation de la bobine

La bobine peut être tournée 4 x 90° (en montage dos à dos: 2 x 180°).

- Desserrez l'écrou.
- Tournez la bobine.
- Serrez l'écrou à fond avec un outil approprié (clé à fourche) (5 Nm maxi).

Polarité	Spécifications	Affectation de cosse
- Switch ON +	Vanne (siège P) sera ouverte	(+) sur cosse 2, (-) sur cosse 1
+ Switch OFF -	Vanne (siège P) sera fermée	(+) sur cosse 1, (-) sur cosse 2

Tab. 2: Commande version à impulsions

! Utiliser uniquement un connecteur sans câblage électrique pour les versions à impulsions.

#### 6.4. Rotation de la bobine

##### ! AVERTISSEMENT !

###### Risque de choc électrique.

Il y a risque de choc électrique en l'absence d'un contact du conducteur de protection entre la bobine et le corps.

- ▶ Contrôlez le contact du conducteur de protection après montage de la bobine.

###### Surchauffe, risque d'incendie.

- ▶ Le raccordement de la bobine sans vanne en amont entraîne la surchauffe et la destruction de la bobine.
- ▶ Raccorder la bobine uniquement avec la robinetterie montée.

français

français

## 7. MAINTENANCE, DÉPANNAGE

### ! DANGER !!

#### Risque de blessures dû à la présence de haute pression dans l'installation/l'appareil.

- ▶ Avant de travailler sur l'installation ou l'appareil, il convient de couper la pression et de purger l'air des conduites/de les vider.

#### Risque de choc électrique.

- ▶ Avant de travailler sur l'installation ou l'appareil, couper la tension et empêcher toute remise sous tension par inadvertance.
- ▶ Respecter les réglementations en vigueur pour les appareils électriques en matière de prévention des accidents et de sécurité.

#### Risque de brûlures/d'incendie en fonctionnement continu dû à des surfaces d'appareils brûlantes.

- ▶ Tenez les substances et les fluides facilement inflammables à l'écart de l'appareil et ne touchez pas ce dernier à mains nues.

#### Risque de blessures dû à des travaux de maintenance non conformes.

- ▶ La maintenance doit être effectué uniquement par un personnel qualifié et habilité disposant de l'outillage approprié.
- ▶ Empêchez tout actionnement involontaire de l'installation.
- ▶ Garantissez un redémarrage contrôlé après la maintenance..

39

### 7.1. Pannes

En présence de pannes, vérifiez

- les raccords de conduite
- la pression de service
- la tension d'alimentation et la commande de la vanne

Si malgré tout la vanne ne fonctionne pas, veuillez contacter votre service après-vente Bürkert.

français

## 8. DÉMONTAGE

### 8.1. Consignes de sécurité

#### ! DANGER !

#### Risque de blessures dû à la présence de haute pression dans l'installation/l'appareil.

- ▶ Avant de travailler sur l'installation ou l'appareil, il convient de couper la pression et de purger l'air des conduites/de les vider.

#### Risque de choc électrique.

- ▶ Avant de travailler sur l'installation ou l'appareil, couper la tension et empêcher toute remise sous tension par inadvertance.
- ▶ Respecter les réglementations en vigueur pour les appareils électriques en matière de prévention des accidents et de sécurité.

#### Risque de blessures dû à un démontage non conforme.

- ▶ Le démontage doit être effectué uniquement par un personnel qualifié et habilité disposant de l'outillage approprié.

### 8.2. Démontage

- Coupez la pression et assurez l'échappement de l'air des conduites.
- Coupez la tension.
- Desserrez le connecteur.

40

**Vanne avec raccord fileté :**

- Maintenez l'appareil sur le corps à l'aide d'un outil approprié (clé à fourche) et desserrez de la tuyauterie.

**Vanne avec raccord à bride :**

- Desserrez l'écrou de la bobine et démontez celle-ci.
- Desserrez le corps de l'embase.

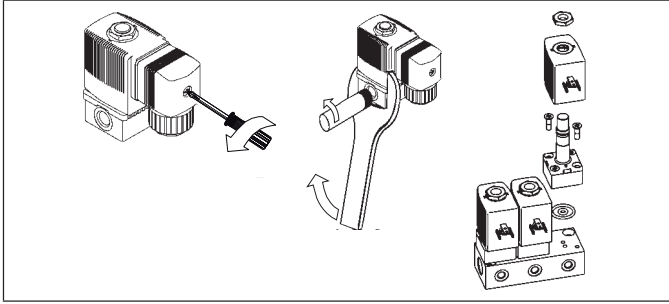


Fig. 6 : Démontage

**9. PIÈCES DE RECHANGE****ATTENTION !**

**Risque de blessures, de dommages matériels dus à de mauvaises pièces.**

De mauvais accessoires ou des pièces de rechange inadaptées peuvent provoquer des blessures et endommager l'appareil ou son environnement.

- Utilisez uniquement des accessoires ainsi que des pièces de rechange d'origine de la société Bürkert.

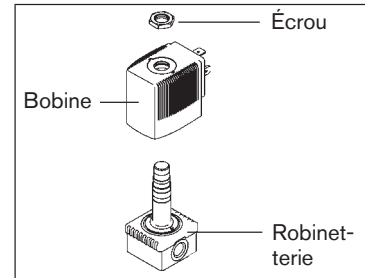


Fig. 7 : Pièce de rechange

La bobine et la robinetterie peuvent être commandées au complet sous le numéro d'identification d'appareil. (voir plaque signalétique)

Jeu de pièces d'usure sur demande.

**10. EMBALLAGE, TRANSPORT, STOCKAGE, ÉLIMINATION****REMARQUE !****Dommages dus au transport.**

- Les appareils insuffisamment protégés peuvent être endommagés pendant le transport.
- Transportez l'appareil à l'abri de l'humidité et des impuretés et dans un emballage résistant aux chocs.
- Évitez le dépassement vers le haut ou le bas de la température de stockage admissible.

**Un mauvais stockage peut endommager l'appareil.**

- Stockez l'appareil au sec et à l'abri des poussières.
- Température de stockage : -40 ... 80 °C.

**Dommages à l'environnement causés par des pièces d'appareil contaminées par des fluides.**

- Respectez les prescriptions en matière d'élimination des déchets et de protection de l'environnement en vigueur.